

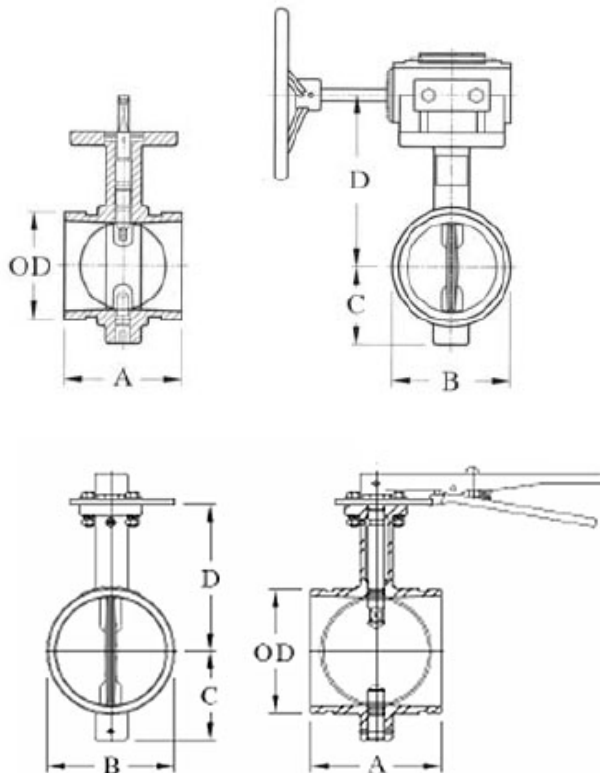


Specification

Conforms: ANSI / AWWA C606
 Nominal Pressure: 300PSI (21 bar)
 Working temperature -20°C +110°C (-4°F +230°F)
 Groove according to ASME B16.1
 Top coupling flange ISO 5211
 Test standard API 598
 Certified Lead free by NSF / ANSI 61 / ANSI 372
 Epoxy coated interior and exterior

Actuation Options

- Standard ISO 5211 mounting flange
- 10-position handle (2 – 16"/DN50 – DN400)
 Infinitely variable service with memory stop; Padlockable
- Gear operator (2 – 16"/DN50 – DN400)



Nominal Size	Pipe OD	Dimensions				Torque	Operating Weight
		A	B	C	D		
mm	mm	mm	mm	mm	mm	N - m	Kgs
in	in	in	in	in	in	In - Lb	Lbs
50	60.3	81	64	63	106	9	3.1
2	2.375	3.19	2.52	2.48	4.17	80	6.8
65	73.0	97	80	68	111	14	3.6
2.5	2.875	3.82	3.15	2.68	4.37	120	7.9
80	88.9	97	92	76	126	18	4.2
3	3.500	3.82	3.62	2.99	4.96	160	9.2
100	114.3	116	118	89	135	51	5.7
4	4.500	4.57	4.65	3.50	5.32	450	12.5
150	168.3	148	172	114	184	102	11.3
6	6.625	5.83	6.77	4.49	7.24	900	25.0
200	219.1	133	222	140	208	136	16.8
8	8.625	5.24	8.74	5.51	8.19	1200	37.0
250	273.0	160	284	186	235	204	28.3
10	10.750	6.30	11.18	7.32	9.25	1800	62.2
300	323.9	166	334	213	260	282	36.4
12	12.750	6.56	13.15	8.39	10.24	2500	80.1
400	406.4	176.78	415.29	267.96	324.0	422	62.5
16	16	6.96	16.35	10.55	12.76	3750	137.5



Material specifications

Part	Specification	American standard
Body	Ductile iron	ASTM A536 Grade 65-45-12
Disc	Ductile iron	ASTM A536 Grade 65-45-12
Rubber seat	EPDM	ASTM D2000
Upper and lower shafts	416 stainless steel	ASTM A582
Shaft seal	EPDM	ASTM D2000
O-rings	EPDM	ASTM D2000
Actuator housing	Ductile iron	ASTM A536 Grade 65-45-12
Shaft	304 stainless	ASTM A276
Handwheel pin	416 stainless steel	ASTM A582
Handweel	Ductile iron	ASTM A536 Grade 65-45-12
Handle	Ductile iron	ASTM A536 Grade 65-45-12
O-ring	EPDM	ASTM D 2000

Flow Characteristics

